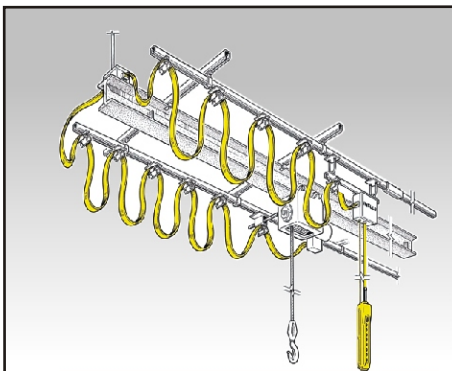
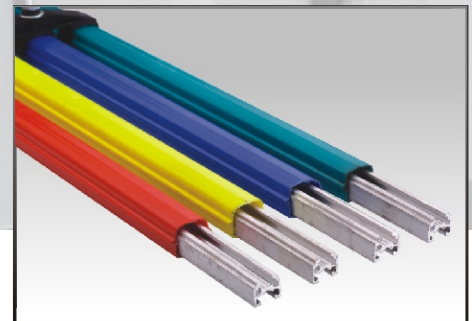
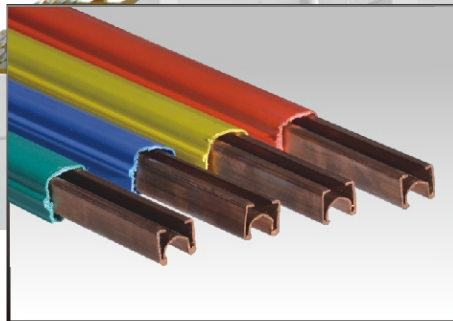
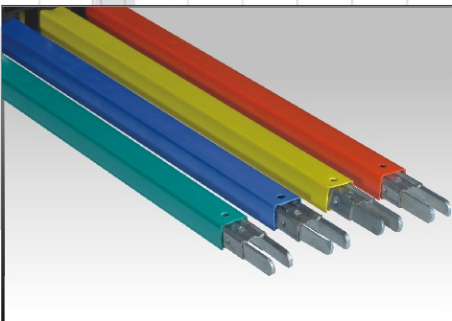




**SafePower**<sup>®</sup>  
Shrouded DSL BUS BAR & Festoon System

## Ultimate Solution For Crane Electrification System



Manufacturer & Exporter of Shrouded DSL Busbar & C Rail Cable Festooning System



AN ISO 9001 : 2015 COMPANY

[www.shroudeddslbusbar.com](http://www.shroudeddslbusbar.com) | [www.dslbusbar.com](http://www.dslbusbar.com)

**GANESH INDUSTRIES** is a Leading Manufacturer and Exporter of “Safe Power” Brand Shrouded DSL Conductor Bar System. Our company is a professional manufacturer and exporter that is concerned with the design, development and production of Insulated conductor bars and Cable Festooning System. The products are used in the power supply system of mobile devices in various fields such as Steel Plant, Cement Plant, Fertilizers, Pharmaceuticals, Heavy Fabrication Industries, Shipyards, Rolling mills, Power Plant, Foundries, and Automobile Sector.

Runway conductors for overhead cranes, gantry cranes, shipyard and port cranes, automated material handling systems, elevators, people mover systems etc. All of our products comply with good quality standards and are greatly appreciated in a variety of different markets throughout the world.

Conductor bar is a safe, economical and low maintenance way to solve mobile electrification requirement. The conductor bar system is having some special features like compactness, less occupation of space and very easy to install. Over all it is very economical. We are reputed firm that specializes in developing and supplying Shrouded Bus bars in Copper, GI and Aluminum metal.

## Our Product Range

### Shrouded Bus Bars

- GI Conductor Bar (Pin Joint) 60 amps to 125 Amps.
- GI Conductor Bar (Bolted Joint) 80 amps to 125 Amps.
- Copper Conductor Bar (Pin Joint) 160 amps to 315 Amps.
- Copper Conductor Bar (Bolted Joint) 160 amps to 400 Amps.
- Aluminium With SS Conductor Bar 200 to 315 Amps.

## OUR REPUTED CLIENTS

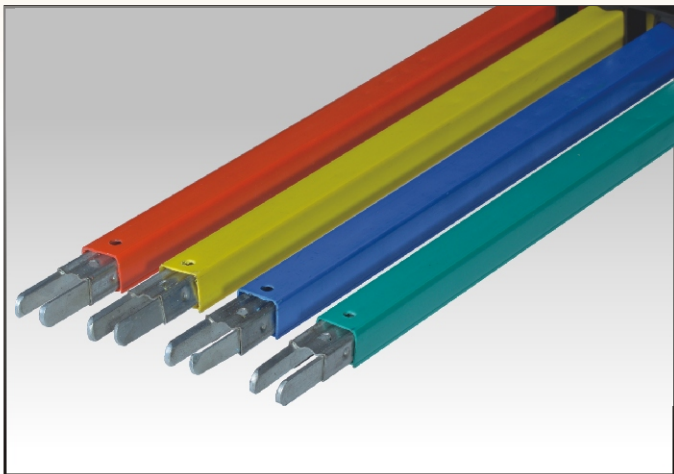
 ArcelorMittal	 ADITYA BIRLA BIRLA CARBON	 ADITYA BIRLA GRASIM	 UltraTech CEMENT The Engineer's Choice	 APLAPOLLO Trades for every reason	 बी एच ई एल BHEL	 भाविनि BHAVINI
	 DEMAG Cranes & Components	 PARRYS E.L.D - PARRY (INDIA) LIMITED	 ESSAR		 GANGAKHED SUGAR & ENERGY LIMITED	 हि ए लि HAL
 imfa	 IT Cem Commitment, Reliability & Quality	 JAYPEE CEMENT	 Jindal	 JSW	 KALYANI	 KSB
 LARSEN & TOUBRO	 mbe	 MURUGAPPA GROUP	 MARUTI SUZUKI	 NCL GROUP	 एन टी पी सी NTPC	 RattanIndia KATTANINDIA POWER LIMITED
 RELIANCE Infrastructure	 Reliance Industries Limited	 SUZUKI	 SURYA	 TATA	 usha martin	 WELSPUN Dare to Commit WELSPUN INDIA LTD.

## “M” Pin Type DSL Busbar System

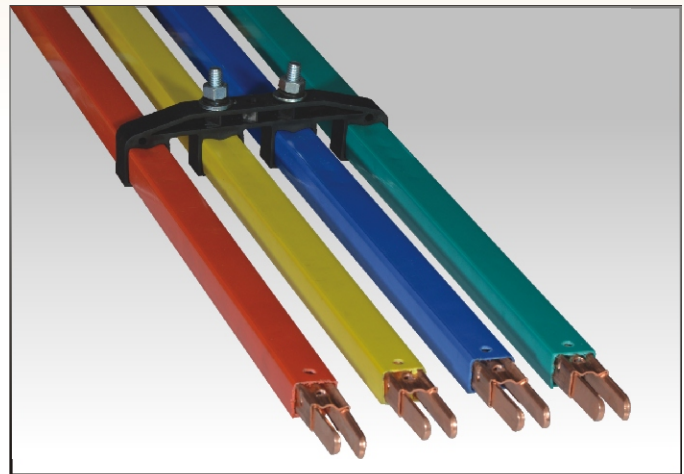
These conductor are compact, insulated, easy to installation, in horizontal or vertical configuration.They require much less space compared to conventional bar conductor systems

The conductor bars are 4 meter long to be supported at every 1 meter effecting considerable savings in installation. Conductor are easily assembled at site with use of a jointing tool. All bars are supplied with connecting pins.

Design allows uni/multi pole mounting arrangement. Conductor can be mounted side by min. centre distance 30 mm.



**GI Pin Type DSL Busbar**



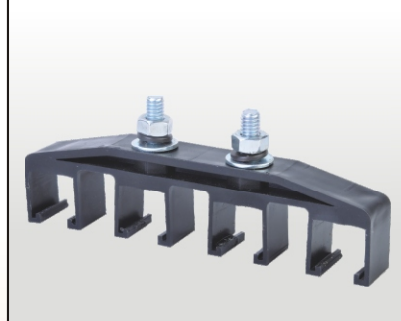
**Copper Pin Type DSL Busbar**

Single Pole Hanger Clamp



Moulded Plastic  
Snap-On Type Support

Four Pole Hanger Clamp



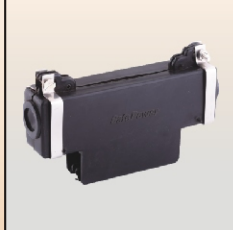
Moulded Plastic  
Snap-On Type Support

Splice Cover



Moulded Plastic One Piece  
Clip-On Cover

Center power Feed Kit



Kit Comprising Power  
Feed Clamp

End Cup



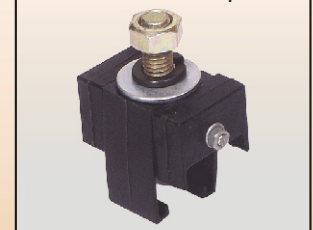
Kit Comprising Stop  
Bolt and PVC Push-On  
Insulating Cover

Jointing Tool



Special Assembly Tool  
Required To Connect  
Bars On Site

Anchor Clamp



Moulded Plastic Snap-On  
Type With Self Anchoring  
Feature.For Use at  
Anchor Points

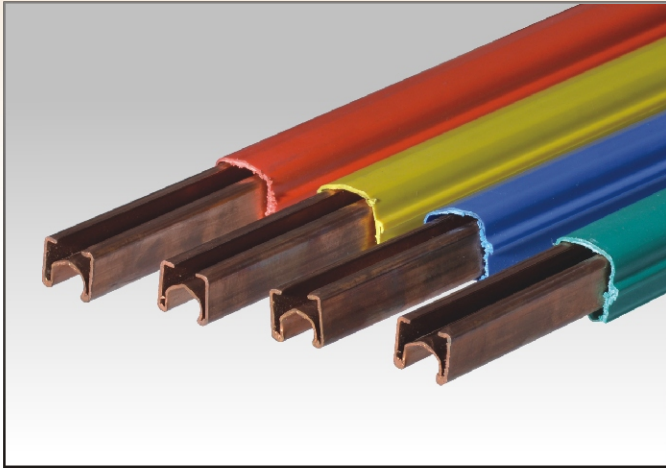


## “W” Bolt Type DSL Busbar System

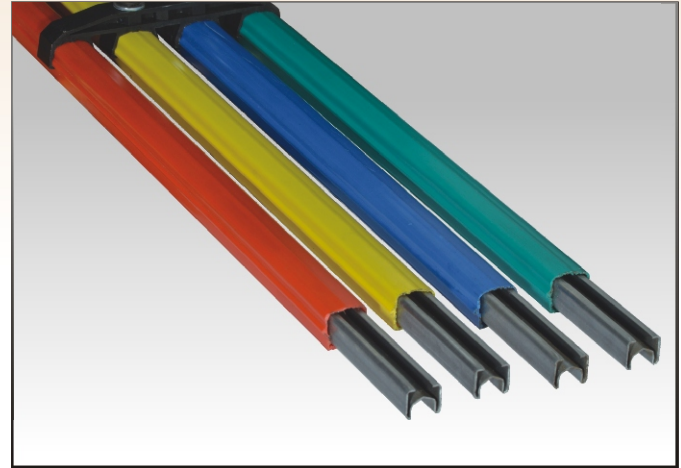
These Conductor are Compact, Insulated and easy to installation. V Compact design ensures Positive Contact. The Conductor are color coded RYBG.

They can be mounted in Horizontal or Vertical configuration.

The Conductor Bars are 4.5 Meters long to be supported at every one Meter. Design allows Uni/Multi pole mounting arrangement. Conductors can be Mounted Side by Side



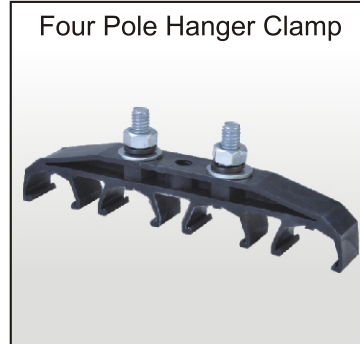
**Copper Bolt Type DSL Busbar**



**GI Bolt Type DSL Busbar**



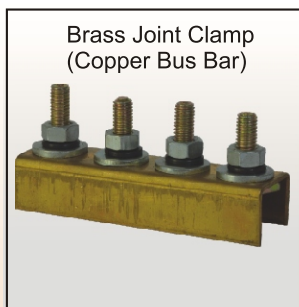
Snap on insulated Single Pole Hanger Clamps designed for Horizontal / Vertical installations.



Snap on insulated Four Pole Hanger Clamps designed for Horizontal / Vertical installations.

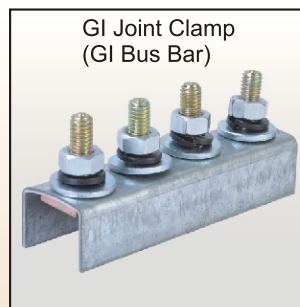


Easy to fit, Snap on type, insulated joint Cover protects the joint.



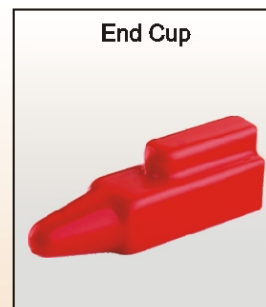
Bolted Joints are designed to rigidly join Conductor Bars. Two bolts on either side ensure Electrically and Mechanically strong joint

Double Bolted design provides Smooth and Perfect Alignment at Joints. This allows smooth glide of Collectors

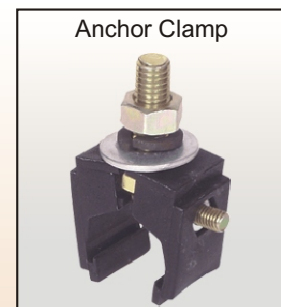


Bolted Joints are designed to rigidly join Conductor Bars. Two bolts on either side ensure Electrically and Mechanically strong joint

Double Bolted design provides Smooth and Perfect Alignment at Joints. This allows smooth glide of Collectors



The Open Ends / End Feeds of conductors are covered by End Caps.



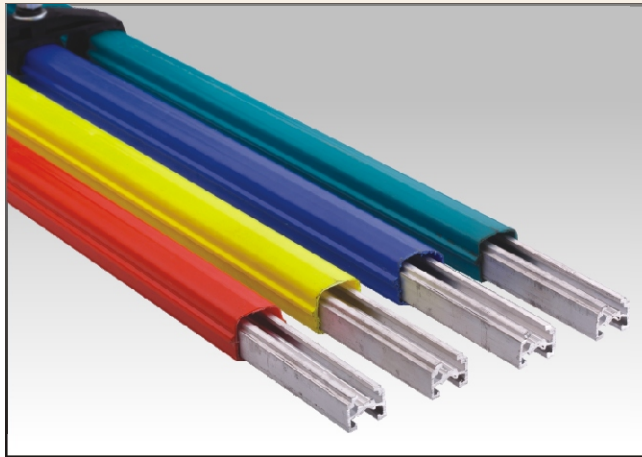
Plastic moulded Snap-on typewith self anchoring feature. For use at Anchor Points.

## Aluminum with S.S Strip Conductor Bar

These Conductor are Compact, Insulated and easy to installation. V Compact design ensures Positive Contact. The Conductor are color coded RYBG.

They can be mounted in Horizontal or Vertical configuration.

The Conductor Bars are 4.5 Meters long to be supported at every one Meter. Design allows Uni/Multi pole mounting arrangement. Conductors can be Mounted Side by Side



Single Pole Hanger Clamp



Snap on insulated Single Pole Hanger Clamps designed for Horizontal / Vertical installations.

Four Pole Hanger Clamp



Snap on insulated Four Pole Hanger Clamps designed for Horizontal / Vertical installations.

Bolt Clamp Cover



Easy to fit, Snap on type, insulated joint Cover protects the joint.

Center Power Feed Kit



The Power Feed point can be at either end or any where along the run. One more Power Feed points are possible to reduce Voltage Drop.

Aluminum Joint Clamp



Bolted Joints are designed to rigidly join Conductor Bars. Two bolts on either side ensure Electrically and Mechanically strong joint

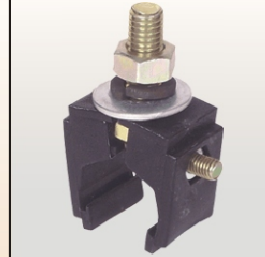
Double Bolted design provides Smooth and Perfect Alignment at Joints. This allows smooth glide of Collectors

End Cup



The Open Ends / End Feeds of conductors are covered by End Caps.

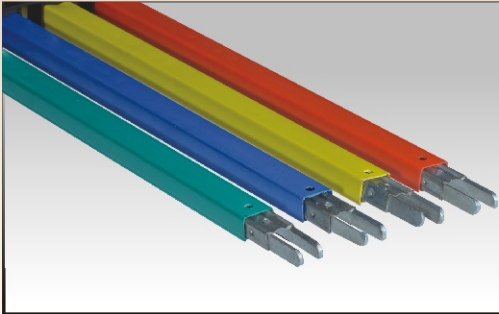
Anchor Clamp



Plastic moulded Snap-on type with self anchoring feature. For use at Anchor Points.

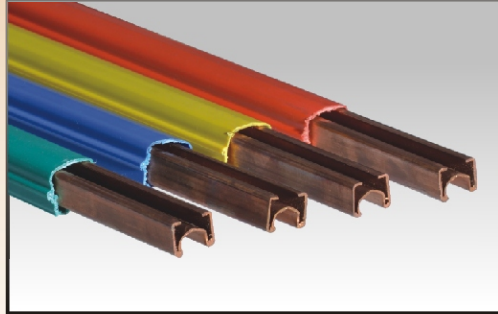
Expansion Joint





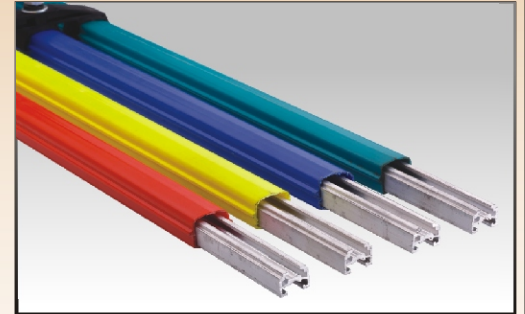
**M Type**

GI 60 amp. to 125 amp.  
Copper 160 amp. to 350 amp.



**W Type**

GI 80 amp. to 125 amp.  
Copper 160 amp. to 400 amp.



**W Type**

Aluminum 200 amp. to 315 amp.

## FEATURES

- Insulated Conductors are touch proof, no exposed.
- Quick & Easy Installation with single Pole & 4 Pole Hanger.
- 60 to 400 Amps Conductor in same standard.
- 60, 100 & 125 Amps in Galvanized Steel.
- 200 & 315 Amps in Aluminium S.S. Strip.
- 160,250, & 400 Amps in Rolled Copper.
- Cover Designed to shed water and dust.
- Joint Cover provides total protection of joints.
- Enclosed Wiring for connection on collectors for safe and simple installation.
- No Expansion Joints up to 150 Meters long System.

## ADVANTAGES

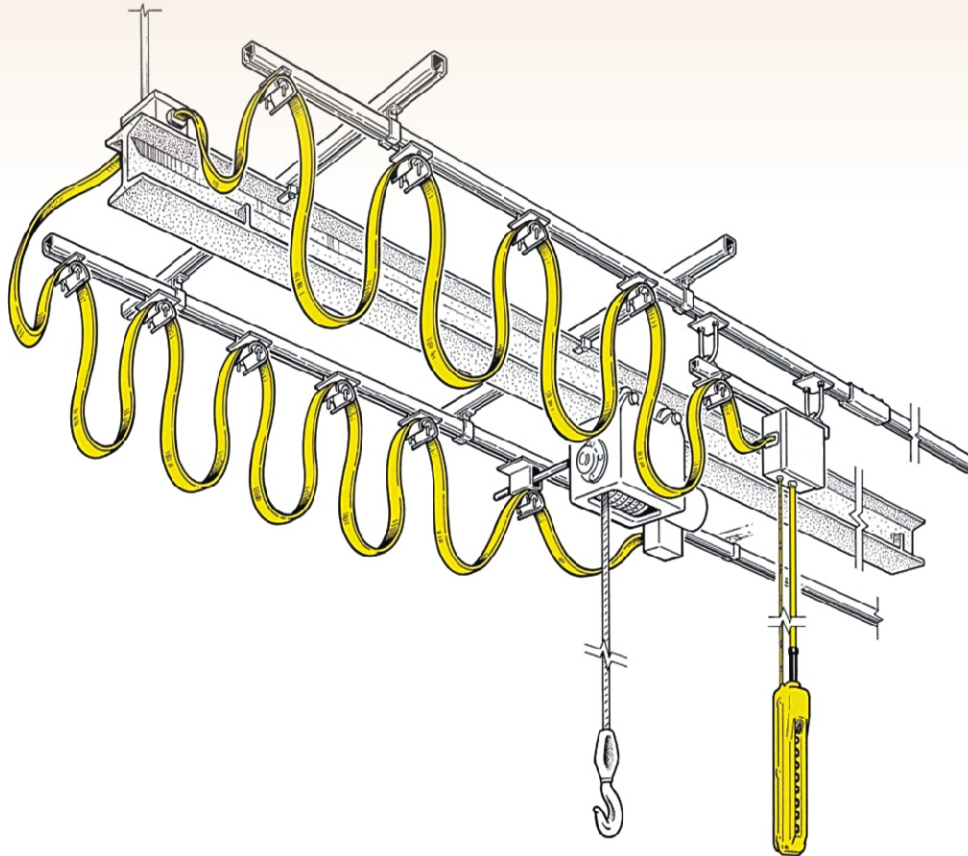
- It is Insulated.
- It is finger safe.
- No chance of accident.
- Color coded R Y B G.
- No need for a protection guard.
- No spark as spring loaded current collector provides pressurized electrical contact.
- It is compact occupies less space.





## Cable Festooning System

Ganesh Industries offers a comprehensive line of festoon products, ranging from simplest of systems running on stretched wire rope to the complex, high speed demands of portal and container cranes. Safe Power's festoon systems run on wire rope, c-track, square bar and I-Beams, with trolleys able to support static loads up to 100 Kg. with Heavy-Duty festoon systems. Safe Power festoon systems are designed to support and protect flat and round electrical cables. Our systems can operate in indoor and outdoor environments and can also be designed for harsh, aggressive environments. Outstanding Features: Durability, Versatility, Safety & Ease of Operation



**Safe Power C-RAIL FESTOON SYSTEMS** are a clean, economical and efficient method of managing power and control cables for mobile equipments.

**FESTOON SYSTEMS** are generally used on overhead cranes for the transmission of power and control signals for cross bridge trolley travel, but they can also be applied to crane runway travel, transfer cars, monorails, refuse cranes, waste water treatment machines, industrial Cranes & Hoists, Machine Tools, Maintenance Equipment, Production / Assembly / Process Lines, Stacker / Retriever Cranes, High Acceleration / Curves / Heavy Duty, Etc.

### Applications

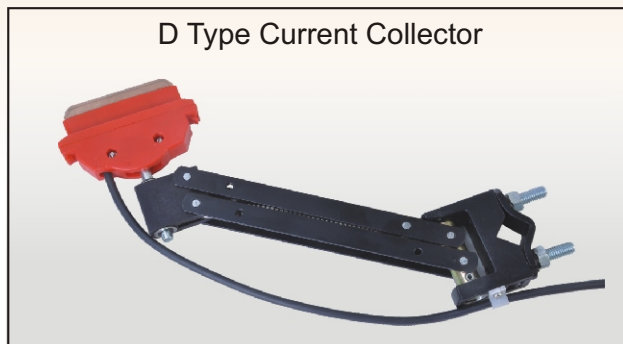


## Current Collectors

Heavy Duty Current Collectors are of fully Articulated Design. This provides multi axis degree of movement thereby allowing compensation of machine motion tolerances and installation variation.

Spring Loaded unit provides positive pressure contact with conductor, thus ensures uninterrupted power transfer during motion.

Variety of designs for different applications and site conditions.



60 Amp. to 125 Amp



160 Amp. to 400 Amp

1	Current Collector Type	“D” Type	“M” Type
2	Currant Rating.	125 Amp	250 amp
3	Collector Movement Horizontal Vertical	+ 200 + 60	+ 200 + 60
4	Mounting Bracket	19 sqmm bar	25 sqmm bar
5	Mounting Distance From Conductor Contact Surface	127 MM	127 MM
6	Construction	1 Pole	1 Pole
7	Sintered Copper Shoe	125 Amp.	250 Amp.
8	Shoe Holder	Nylon	Nylon
9	Structure	Metallic	Metallic
10	Two Collector in Tandem to be used for Higher Currents & in Expansion Assemblies		

**MAINTENANCE COST : No periodic maintenance is required. only consumable item is contact shoe.**





Mr. Ghanshyam Parmar | C.E.O  
Cell No : +91-98252 16374

Mr. Bharat Parmar | Marketing Head  
Cell No : +91-98795 64445

Mr. Mitesh Parmar | Sr. Engineer  
Cell No : +91-81416 13482

Mr. Nirav Vyas | Manager (Marketing & Exports)  
Cell No : +91-97247 39151



Manufacturer & Exporter of Shrouded DSL Busbar & C Rail Cable Festooning System